

# What is it?

- a one of a kind order picker for tyres
- can reach a height of 5.35 m
- innovative Lift Compartment System can load up to 100 kg
- compact design, it can perform a complete rotation on its own axis
- control panel equipped with a large LCD display showing vehicle status, system operating time and battery status via a charge indicator



# Why choose Sprint TL?

## EFFICIENCY AND VERSATILITY

- lifts the operator and tyres, easily positioning them at the desired height
- can be loaded with up to four tyres, size ranging between 55-73 cm
- the inclination and load can be adjusted
- a set of electrical roller side guides move the tyres towards the operator
- four long-lasting 24 Volts rechargeable batteries

## SAFETY

- heavy duty steel case construction and frame
- avoid injuries related to manual movement.
- drivable at full height, fully loaded at an automatic slow speed of 1.2 km/h., it can also be elevated or lowered during movement
- built-in tilt sensor, flashing light and audible alarm

## DURABILITY

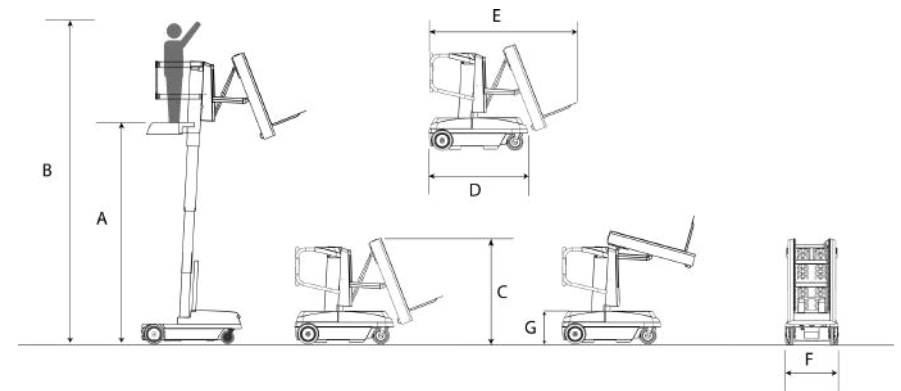
- maintenance-free lifting mast
- high-quality components
- simple yet effective design
- can be fitted with 100 Ah, 12V AGM batteries that provide a longer work cycle between charges.

**"The Sprint TL is an innovative piece of equipment meant to save your back and increase operator productivity, efficiency and safety."**



## Measurements

|          |   |         |                                  |                         |
|----------|---|---------|----------------------------------|-------------------------|
| <b>A</b> | <b>Platform Height</b>                  | 3350 mm | <b>Unit Weight</b>               | 794 kg                  |
| <b>B</b> | <b>Working Height</b>                   | 5350 mm | <b>Rated Number of Occupants</b> | 1                       |
| <b>C</b> | <b>Height Stowed</b>                    | 1601 mm | <b>Drive Speed Stowed</b>        | 5 km/h                  |
| <b>D</b> | <b>Platform Length</b>                  | 1500 mm | <b>Drive Speed Elevated</b>      | 1.2 km/h                |
| <b>E</b> | <b>Platform Length</b>                  | 2243 mm | <b>Inside Turning Radius</b>     | ZERO                    |
| <b>F</b> | <b>Platform Width</b>                   | 809 mm  | <b>Outside Turning Radius</b>    | 1995 mm                 |
| <b>G</b> | <b>Entry Step</b>                       | 356 mm  | <b>Gradeability</b>              | max. 2%                 |
|          | <b>Platform Capacity</b>                | 130 kg  | <b>Power Source</b>              | 110/220 V<br>ca 24Vcc   |
|          | <b>Lift Compartment System Capacity</b> | 100 kg  | <b>Batteries</b>                 | n° 4 - 6V;<br>245Ah@20h |



**Contact Our  
Sales Team**

info@bravi-platforms.com  
www.bravi-platforms.com  
+39 071 7819090



Follow us!

**BRAVI**  
PLATFORMS