

# SJ4720/26/32

## ELECTRIC SCISSORS



### STANDARD FEATURES

- Drivable at full height
- Integrated SKYCODED™ control and overload system
- On-board visual interface with diagnostic capabilities
- Standard Skyjack colour coded and numbered wiring
- Shroud style, impact resistant composite control box with extended cable
- Proportional controls for drive and lift functions
- Tilt alarm (3.5° x 1.5°) with drive and lift cut-out
- Swing out cabinets for easy access
- 24V DC Power with low voltage battery protection
- Universal smart charger
- Variable speed, rear two wheel hydraulic drive
- Solid rubber, non-marking tyres
- 25% Gradeability
- Dual SAHR holding brakes
- 1.22 m Roll out extension deck
- Fold down hinged railings
- Half height spring hinged entry gate
- Lanyard attachment points
- Wiring for AC outlet at platform
- Pothole protection system
- Forklift pockets and tie down / lift lugs
- Single point emergency lowering
- Arm guard with slow close descend
- Flashing light
- Operator horn
- Telematics ready

### OPTIONS

- Light duty pipe rack
- Heavy duty pipe rack
- Board carrier
- Tool caddy
- All motion audible alarm
- Dual flashing lights
- 250 Ah Batteries
- AGM Batteries (140 Ah)
- Lockable swingout trays
- Full height spring hinged entry gate
- Bio oil
- Secondary Guarding Lift Enable (SGLE)
- ELEVATE telematics
- ELEVATE Battery Management System (BMS)\*

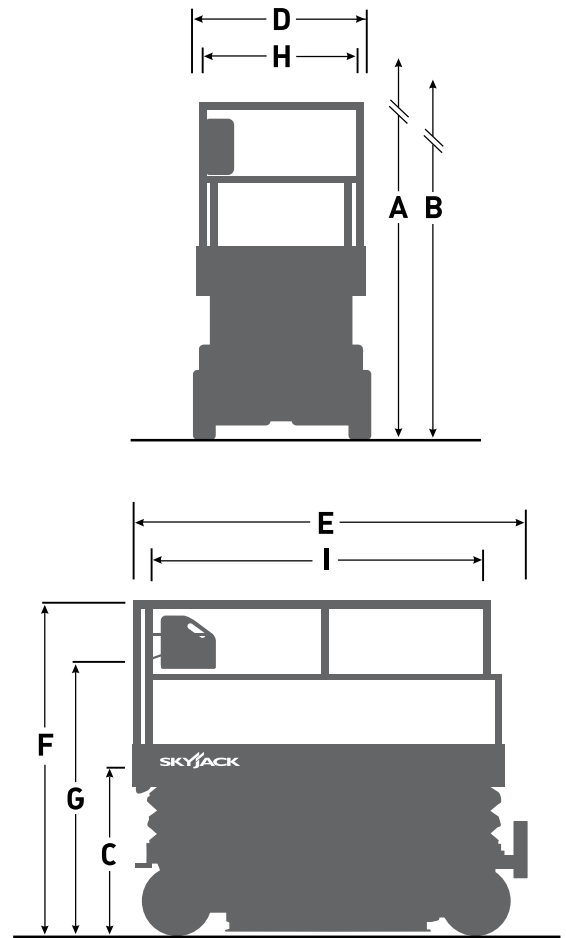
† Standard lead times may be increased when optional equipment is added, consult factory.

‡ Capacities and machine weights may differ when options are added.

\* Only available with ELEVATE telematics

# SJ4720/26/32 ELECTRIC SCISSORS

Dimensions	SJ4720	SJ4726	SJ4732
<b>A</b> Work Height	8.10 m	9.92 m	11.75 m
<b>B</b> Raised Platform Height	6.10 m	7.92 m	9.75 m
<b>C</b> Lowered Platform Height	0.99 m	1.17 m	1.27 m
<b>D</b> Overall Width	1.19 m	1.19 m	1.19 m
<b>E</b> Overall Length	2.32 m	2.32 m	2.32 m
<b>F</b> Stowed Height (Rails Up)	2.10 m	2.29 m	2.39 m
<b>G</b> Stowed Height (Rails Down)	1.72 m	1.90 m	1.99 m
<b>H</b> Platform Width (Inside Dimension)	1.07 m	1.07 m	1.07 m
<b>I</b> Platform Length (Inside Dimension)	2.11 m	2.11 m	2.11 m
Specifications	SJ4720	SJ4726	SJ4732
Extension Deck (Roll Out)	1.22 m	1.22 m	1.22 m
Ground Clearance (Pothole Raised)	10.2 cm	10.2 cm	10.2 cm
Ground Clearance (Pothole Deployed)	1.3 cm	1.3 cm	1.3 cm
Wheelbase	1.75 m	1.75 m	1.75 m
Weight	2,040 kg	2,135 kg	2,571 kg
Gradeability	25%	25%	25%
Turning Radius (Inside)	0.71 m	0.71 m	0.71 m
Turning Radius (Outside)	2.64 m	2.64 m	2.64 m
Lift Time (With Rated Load)	26 sec	52 sec	50 sec
Lower time (With Rated Load)	21 sec	32 sec	42 sec
Drive Speed (Stowed)	2.9 km/h	2.9 km/h	2.9 km/h
Drive Speed (Raised)	1.0 km/h	1.0 km/h	1.0 km/h
Maximum Drive Height	Full Height	Full Height	Full Height
Capacity (Overall)	590 kg	454 kg	318 kg
Distributed Capacity (Main Platform)	454 kg	318 kg	205 kg
Distributed Capacity (Extension Deck)	136 kg	136 kg	113 kg
Local Floor Load (With Rated Load)	790 kN/m <sup>2</sup>	856 kN/m <sup>2</sup>	856 kN/m <sup>2</sup>
Overall Floor Load (With Rated Load)	1,014 kg/m <sup>2</sup>	998 kg/m <sup>2</sup>	1,125 kg/m <sup>2</sup>
Maximum # of persons at 0 m/s wind rating	3	3	2
Maximum # of persons up to 12.5 m/s wind rating	3	1	1
Tyre Type	Solid, N/M	Solid, N/M	Solid, N/M
Tyre Size	16 x 5 x 12	16 x 5 x 12	16 x 5 x 12



[www.skyjack.com](http://www.skyjack.com)

Skyjack Großbritannien  
Unit 1, Maes-y-Clawdd  
Maesbury Road Industrial Estate  
Oswestry, Shropshire, SY10 8NN  
Tel: +44 1691 676235  
Fax: +44 1691 676239  
E-Mail: info@skyjackeurope.co.uk

Skyjack SAS Frankreich  
74 Rue Sibert  
F-42400 Saint-Chamond  
Frankreich  
Tel: +33 (0) 4 78 73 53 32  
Fax: +33 (0) 4 78 56 52 42

Skyjack Hebebühnen GmbH  
Deutschland  
Därmanbusch 2a  
D-58456 Witten  
Tel: +49 (0) 2302 20 26 909  
Fax: +49 (0) 2302 20 25 671

Skyjack AB Schweden  
Agnesbergsvägen 28  
424 38 Agnesberg  
Schweden  
Tel: +46 (0) 31 21 22 45  
Fax: +46 (0) 31 787 65 10

**SKYJACK**  
simply reliable